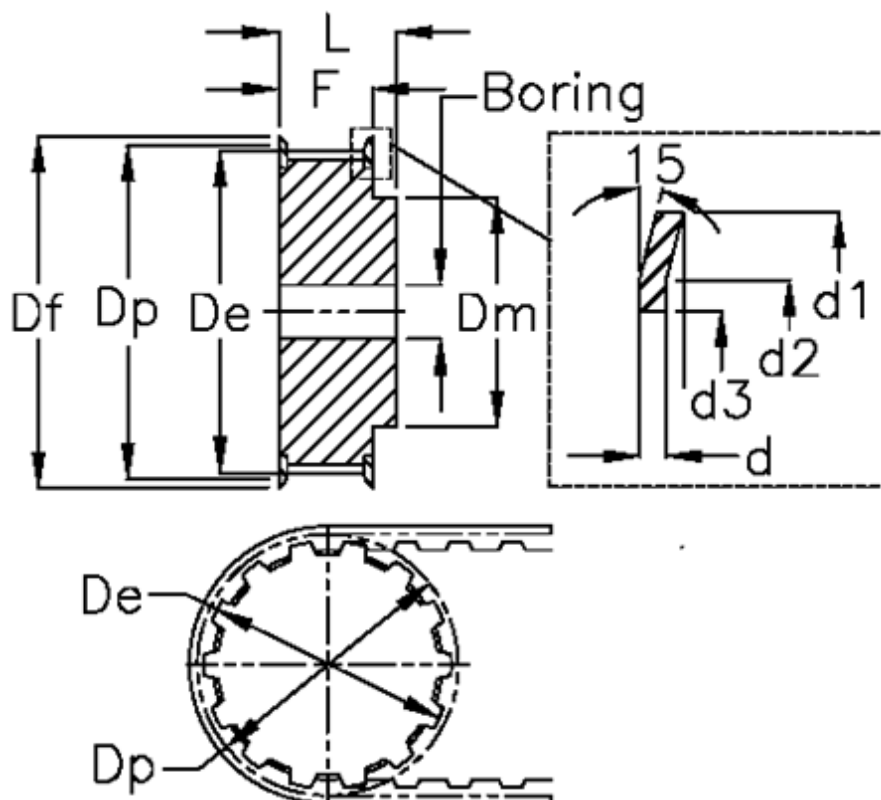


Article number: 60415331028

Description: Timing Belt Pulley 31 T10 28/2

## Measures



Belt width = - 16 mm	$D_p$	= 89.25
$d$ = 1	$F$	= 21
$d_1$ = 93	Flange type	= F32
$d_2$ = 89	$L$	= 31
$d_3$ = 80	Pre-drilled	= 8
$D_e$ = 87.25	Tooth number	= 28
$D_f$ = 93	Type	= T10
$D_m$ = 60	Weight	= 0.441